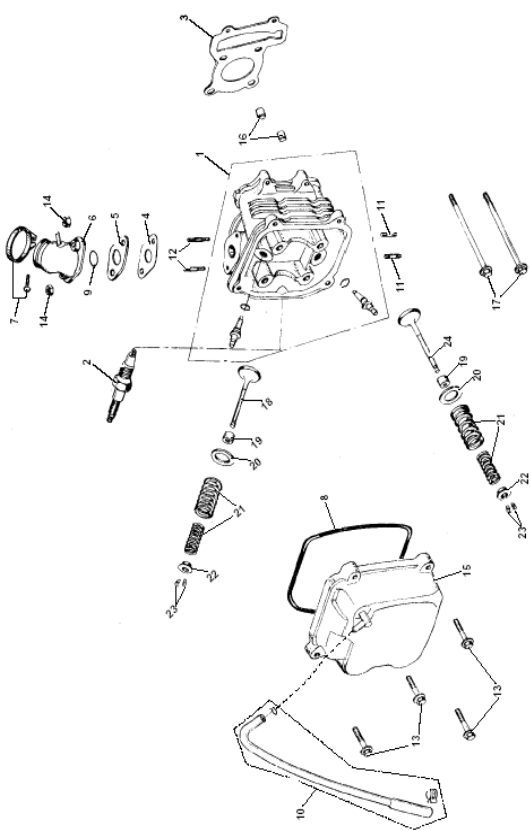


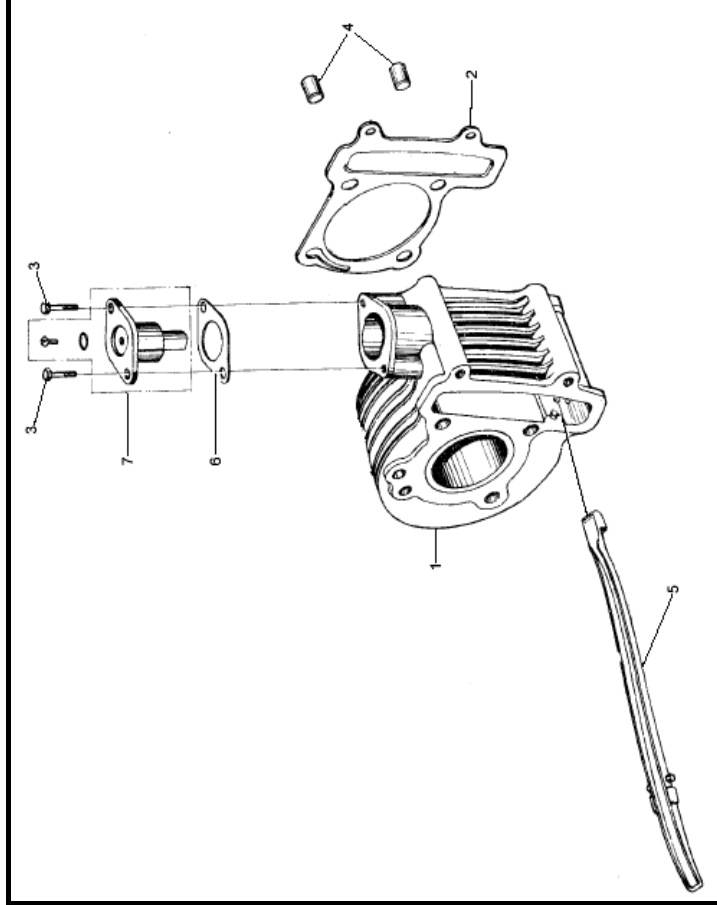
Section 1 - Cylinder Head Assembly

Ref. #	Part #	Description	Qty.
1	14254	Head, Cylinder - 150cc	1
2	50304	Plug, Spark - NGK C7HSA	1
3	14255	Gasket, Cylinder Head - 150cc	1
4	14256	Gasket, Carb Insulator - 150cc	1
5	14257	Insulator, Carb - 150cc	1
6	14258	Manifold, Intake - 150cc	1
7	14259	Clamp, Carb Hose - 150cc	1
8	14260	Gasket, Valve Cover - 150cc	1
9	14261	O-Ring, M27x2 Rubber	1
10	14262	Tube, Breather - 150cc	1
11	14263	Stud, M6 x 1.00 x 18	2
12	14264	Stud, M6 x 1.00 x 50	2
13	50003	Bolt, M6 x 1.00 x 25 FHCS	4
14	50024	Nut, M6 x 1.00 Hex Flange	2
15	14265	Cover, Valve - 150cc	1
16	14266	Pin, M10 x 16 Dowel	2
17	50087	Bolt, M6 x 1.00 x 100 FHCS	2
18	14267	Valve, Intake - 150cc	1
19	14268	Seal, Valve Stem - 150cc	2
20	14269	Seat, Valve Spring Outer - 150cc	2
21	14270	Spring, Outer and Inner Valve - 150cc	2
22	14271	Retainer, Valve Spring - 150cc	2
23	14272	Keeper, Valve Spring - 150cc	4
24	14273	Valve, Exhaust - 150cc	1



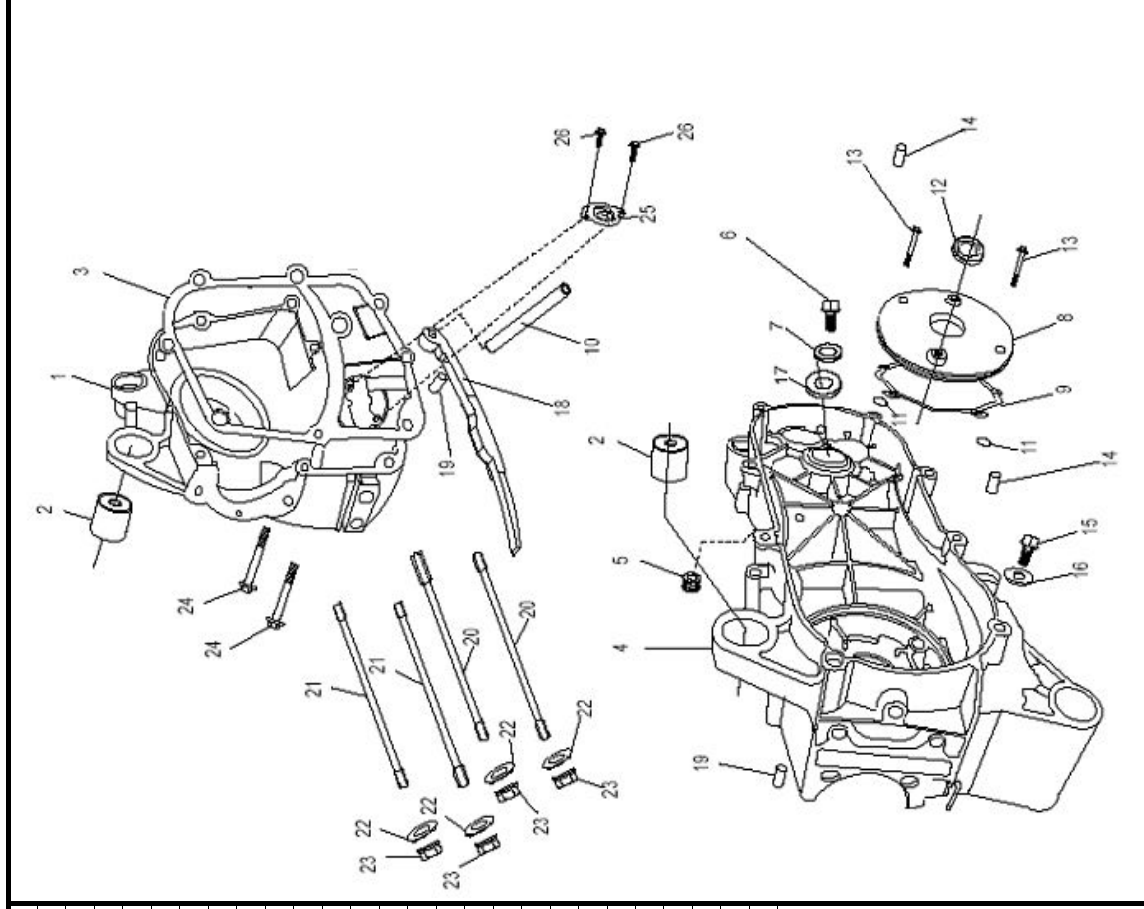
Section 2 - Cylinder

Ref. #	Part #	Description	Qty.
1	14254	Head, Cylinder - 150cc	1
2	14255	Gasket, Cyl Head Lower - 150cc	1
3	50032	Bolt, M6 x 1.00 x 22 FHCS	2
4	14266	Pin, M10 x 16 Dowel	2
5	14276	Tensioner, Cam Chain - 150cc	1
6	14275	Gasket, Cam Chain Tensioner - 150cc	1
7	14274	Asm, Cam Chain Tensioner - 150cc	1



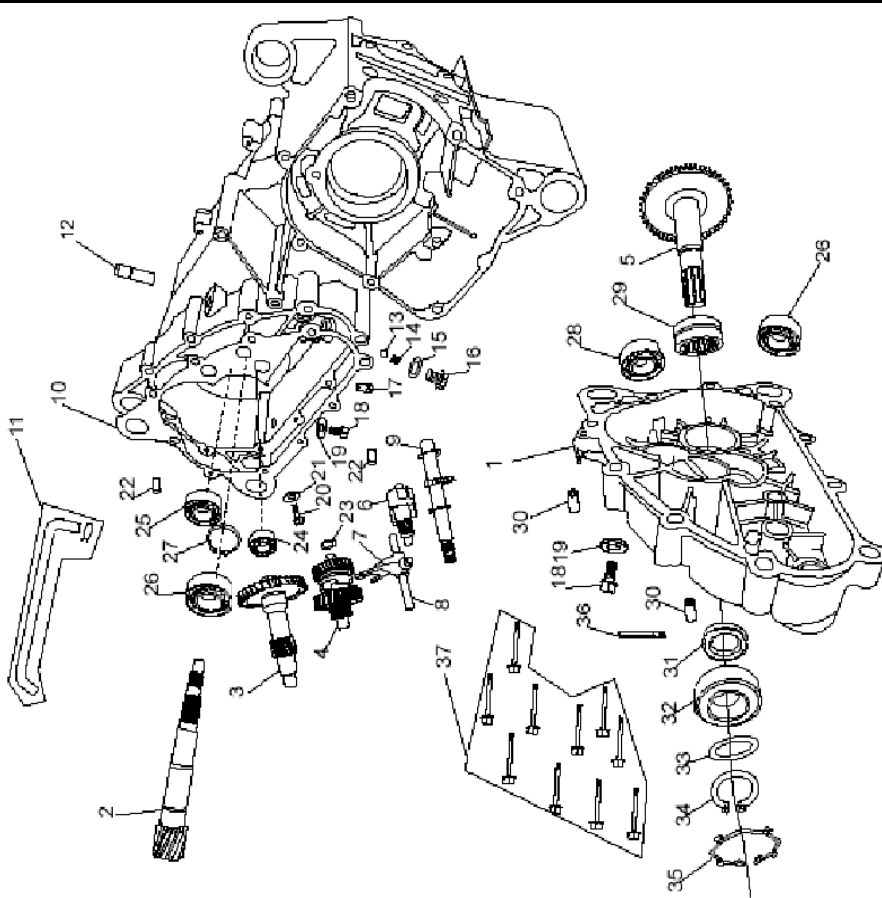
Section 3 - Engine Crankcase

Ref. #	Part #	Description	Qty.
1	14277	Housing, Crankcase RH - 150cc	1
2	14278	Bushing, Engine Hanger - 150cc	2
3	14279	Gasket, Crankcase - 150cc	1
4	14280	Housing, Crankcase LH - 150cc	1
5	14558	Grommet	1
6	14281	Bolt, M10 x 1.25 x 15 FHCS	1
7	14282	Washer, M10.2 x 18 x 1.3 Flat	1
8	14283	Cover, Small Left	1
9	14284	O-Ring, M108 x 2	1
10	14559	Pin	1
11	14285	O-Ring, M6 x 1.8	2
12	50104	Seal, M19.8 x 30 x 5	1
13	14286	Bolt, M6 x 1.00 x 18 FHCS	4
14	14287	Pin, M10 x 14 Dowel	2
15	14288	Bolt, M12 x 1.5 Special	1
16	14289	Washer, M12 Flat	2
17	14290	Seal, M20 x 32 x 6	2
18	14276	Tensioner, Cam Chain - 150cc	1
19	50016	Pin, M8 x 14 Dowel	2
20	14291	Stud, M8 x 1.25 x 195.5	2
21	14292	Stud, M8 x 1.25 x 187.5	2
22	14293	Washer, M8 Flat	4
23	14294	Nut, M8 x 1.25 Flange Head	4
24	14295	Bolt, M6 x 1.00 x 50 FHCS	2
25	14501	Spacer, Oil - 150cc	1
26	14296	Bolt, M6 x 1.00 x 12 FHCS	2



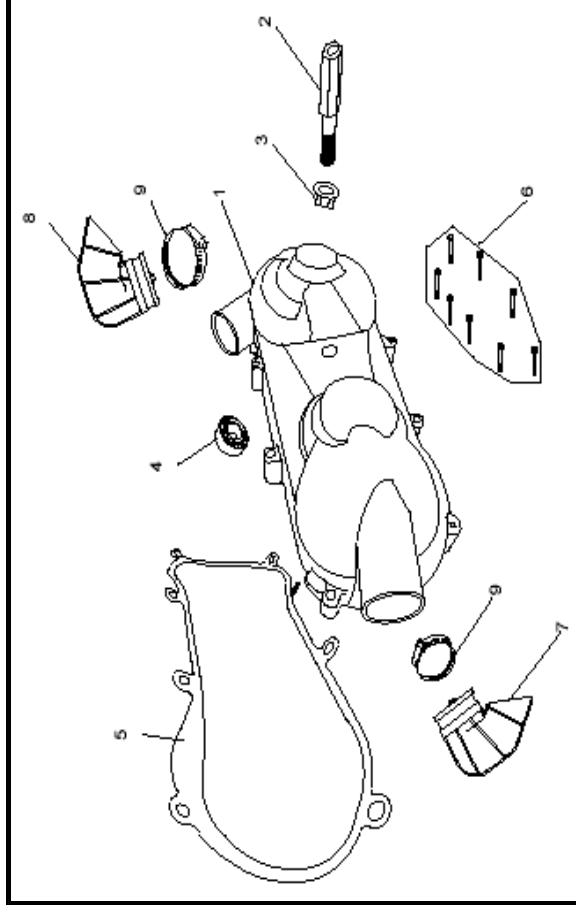
Section 4 - Transmission

Ref. #	Part #	Description	Qty.
1	14297	Housing, Outer Transmission - 150cc	1
2	14298	Gear, Pri Drive - 150cc	1
3	14299	Gear, Sec Drive - 150cc	1
4	14300	Asm, Shift Gear Cluster F/N/R - 150cc	1
5	14301	Gear, Final Drive Shaft	1
6	14302	Asm, Shift Selector - 150cc	1
7	14303	Pawl, Shift Selector - 150cc	1
8	14304	Rod, Shift Pawl - 150cc	1
9	14305	Shaft, Shifter Cam - 150cc	1
10	14306	Gasket, Transmission Case - 150cc	1
11	14307	Tube, Transmission Vent	1
12	14308	Nipple, Vent Tube	1
13	14309	Ball, Shift Indent - 150cc	1
14	14310	Spring, Shift Indent - 150cc	1
15	14311	Gasket, Shift Indent - 150cc	1
16	14312	Bolt, Shift Indent - 150cc	1
17	14502	Outlet, Drain - 150cc	1
18	14313	Bolt, Drain/Fill Plug - 150cc	2
19	14314	Gasket, Trans Drain Plug - 150cc	2
20	14296	Bolt, M6 x 1.00 x 12 FHCS	2
21	14315	Washer, M6 Flat	2
22	14287	Pin, M10 x 14 Dowel	2
23	14316	Spacer, M15 Inner Gear	1
24	Y00055	Bearing, 6202 15 x 35 x 11	1
25	50102	Bearing, 6203 17 x 40 x 12	1
26	82407	Bearing, 6204 20 x 47 x 14	1
27	14106	Circlip, M20	1
28	14503	Bearing, 6302 15 x 42 x 13	1
29	14504	Bearing, RNA4905 30 x 42 x 17	1
30	14505	Bushing, Shock Absorbing - 150CC	2
31	14318	Seal, M30 x 40 x 6	1
32	82874	Bearing, 6205 25 x 52 x 15	1
33	14506	Spacer, M25 x 34 x 1	1
34	14319	Circlip, M25	1
35	14320	Circlip, M52	1
36	14321	Clamp, Wire	1
37	14235	Bolt, M6 x 1.00 x 40 FHCS	10



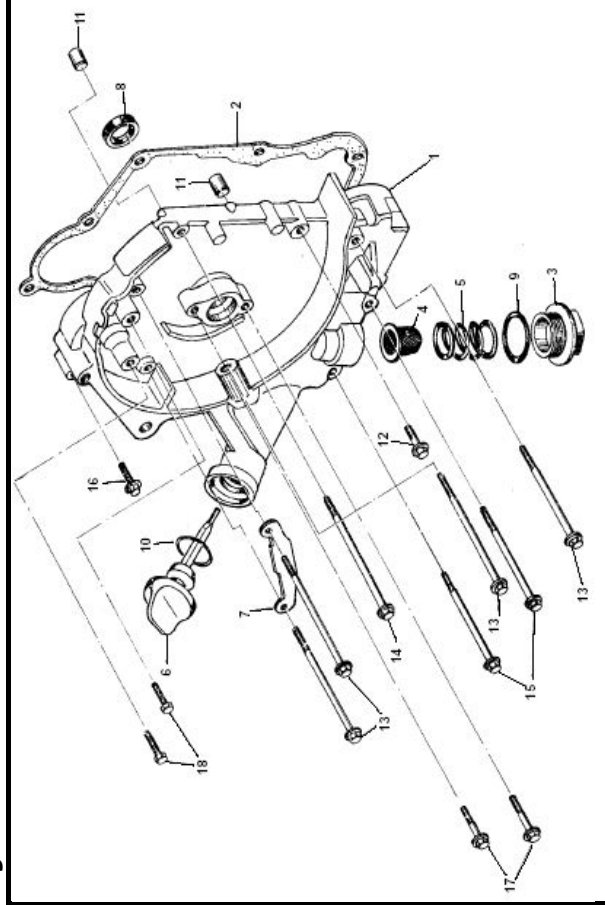
Section 5 - CVT Cover

Ref. #	Part #	Description	Qty.
1	14323	Cover, CVT - 150cc	1
2	14507	Bracket, Exhaust - 150cc	1
3	14324	Nut, M12 x 1.25 Locking Flange	1
4	14508	Bearing, 6200 10 x 30 x 9	2
5	14325	Gasket, CVT Cover - 150cc	1
6	14235	Bolt, M6 x 1.00 x 40 FHCS	8
7	14322	Snorkel, CVT - 150cc	1
8	14322	Snorkel, CVT - 150cc	1
9	14509	Clamp, Snorkel - 150cc	2



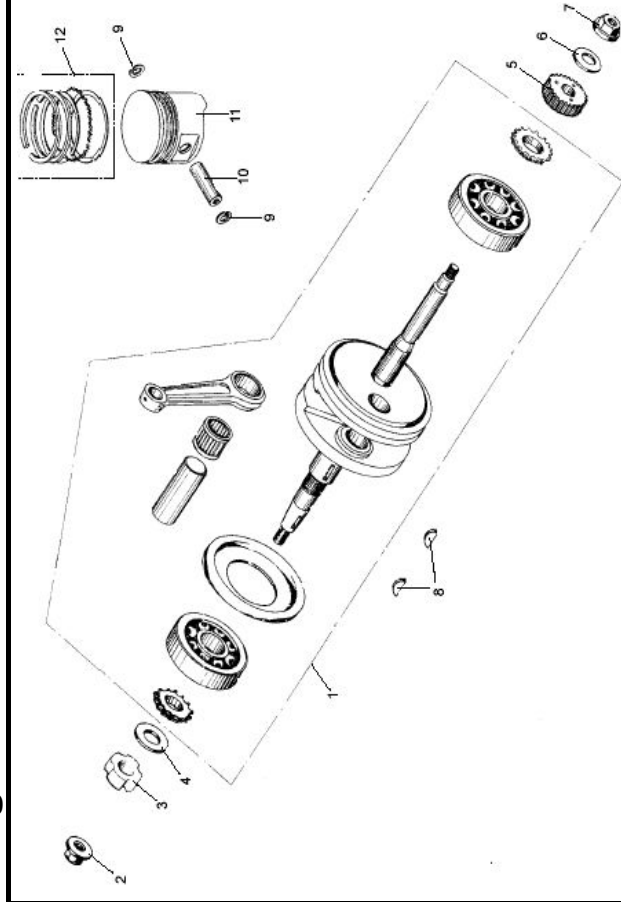
Section 6 - Outer Crankcase Assembly

Ref. #	Part #	Description	Qty.
1	14326	Cover, Outer Crankcase RH - 150cc	1
2	14327	Gasket, Outer Crankcase - 150cc	1
3	14328	Cap, Oil Drain - 150cc	1
4	14329	Screen, Oil Filter - 150cc	1
5	14330	Spring, Oil Filter Screen - 150cc	1
6	14331	Dipstick, Oil Fill - 150cc	1
7	14332	Clamp, AC Generator - 150cc	1
8	14333	Seal, M19.8 x 30 x 5 Oil	1
9	14334	O-Ring, M30.8 x 3	1
10	14335	O-Ring, M18 x 3	1
11	50016	Pin, M8 x 14 Dowel	2
12	14336	Bolt, M6 x 1.00 x 28 FHCS	1
13	14337	Bolt, M6 x 1.00 x 95 FHCS	4
14	14338	Bolt, M6 x 1.00 x 100 FHCS	1
15	14339	Bolt, M6 x 1.00 x 110 FHCS	2
16	14340	Bolt, M6 x 1.00 x 35 FHCS	1
17	14341	Bolt, M6 x 1.00 x 20 FHCS	2
18	14296	Bolt, M5 x 0.75 x 12 FHCS	2



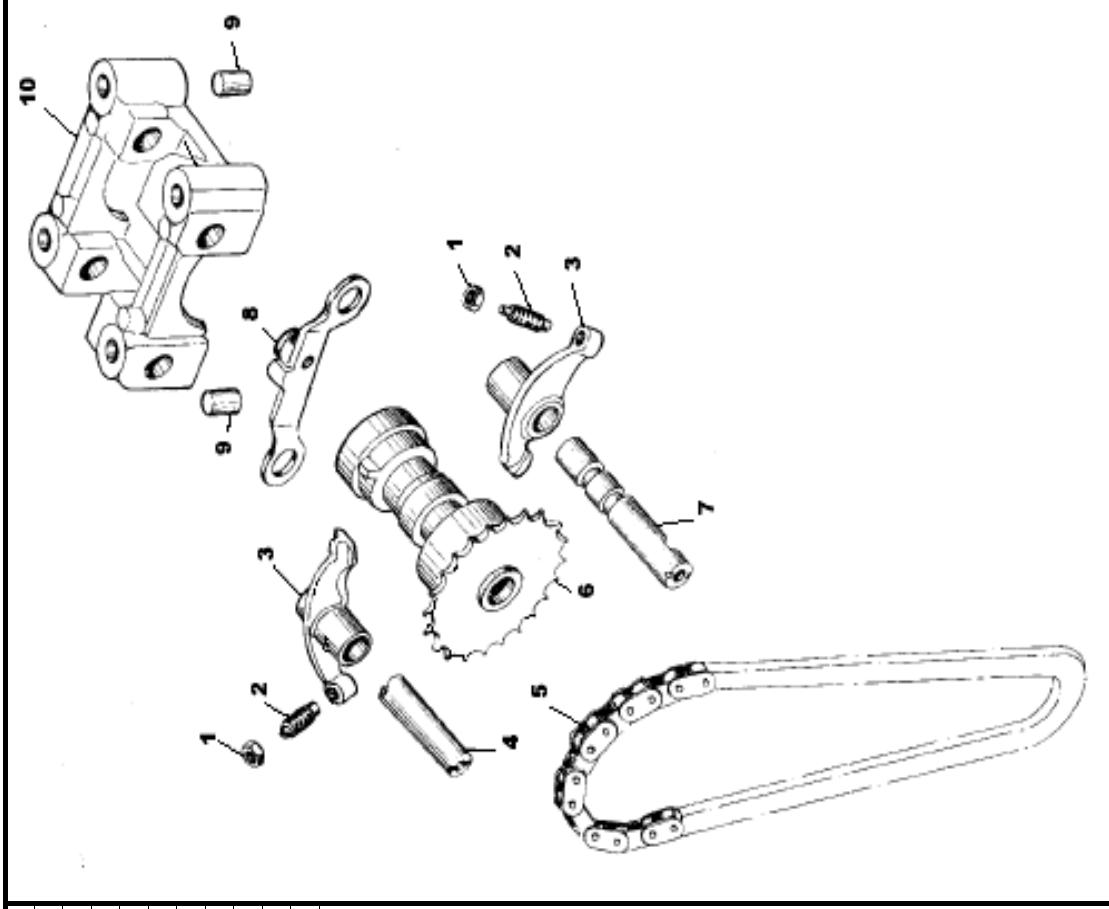
Section 7 - Piston, Crank and Connecting Rod

Ref. #	Part #	Description	Qty.
1	14342	Asm. Crank - Con Rod - 150cc	1
2	14324	Nut, M12 x 1.25 Hex Flange	1
3	14510	Nut, M22 x 1.00 Locking - 150CC	1
4	14511	Washer, M22 x 31 x 2.5 Flat	1
5	14344	Gear, Kick Drive	1
6	14289	Washer, M12 Flat	1
7	14324	Nut, M12 x 1.25 Hex Flange	1
8	14512	Key, Woodruff M4 x 14	1
9	14345	Clip, Piston Retaining - 150cc	2
10	14346	Pin, Piston Wrist - 150cc	1
11	14347	Piston - 150cc	1
12	14348	Kit, Piston Ring - 150cc	1



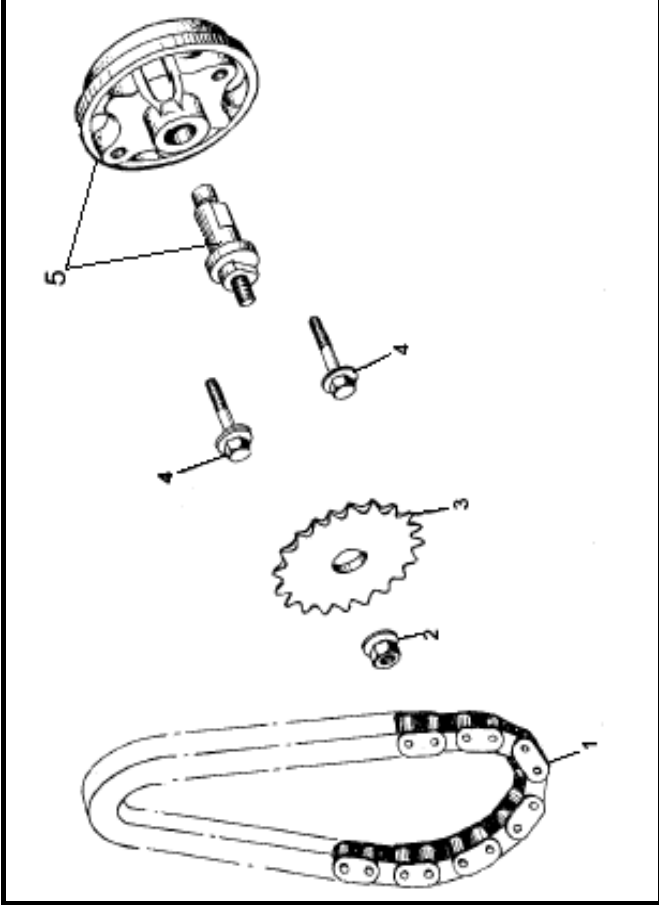
Section 8 - Camshaft Assembly

Ref. #	Part #	Description	Qty.
1	14513	Nut, M5 x 0.5 Hex	2
2	14349	Screw, Tappet Adjustment - 150cc	2
3	14350	Arm, Valve Rocker - 150cc	2
4	14351	Shaft, Exhaust Rocker Arm - 150cc	1
5	14352	Chain, Camshaft - 150cc	1
6	14353	Camshaft - 150cc	1
7	14354	Shaft, Intake Rocker Arm - 150cc	1
8	14355	Plate, Stop - 150cc	1
9	14266	Pin, M10 x 16 Dowel	2
10	14356	Cap, Camshaft Brg - 150cc	1



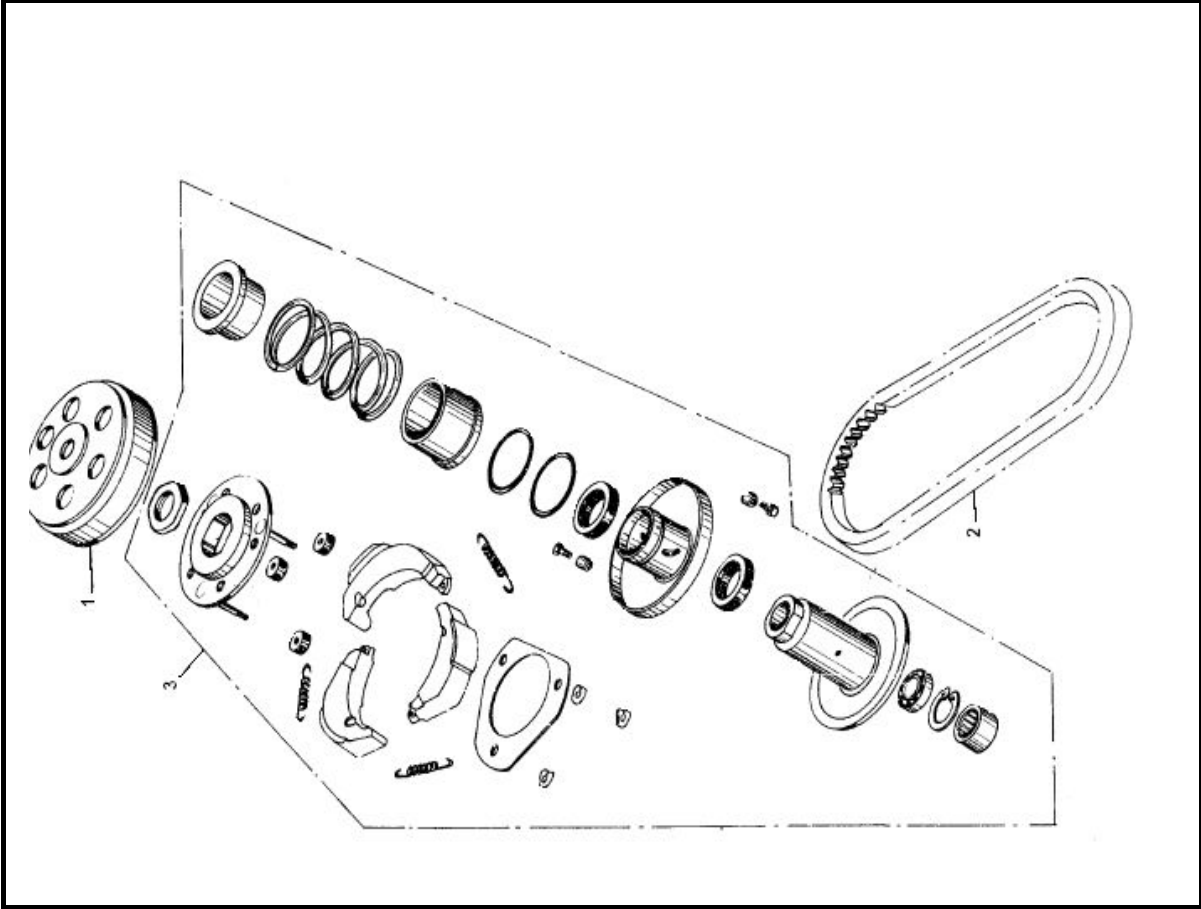
Section 9 - Oil Pump Assembly

Ref. #	Part #	Description	Qty.
1	14357	Chain, Oil Pump - 150cc	1
2	14358	Nut, M6 x 1,00 Hex Flange	1
3	14359	Sprocket, Oil Pump - 150cc	1
4	14360	Bolt, M6 x 1,00 x 30 FHCS	2
5	14361	Asm, Oil Pump - 150cc	1



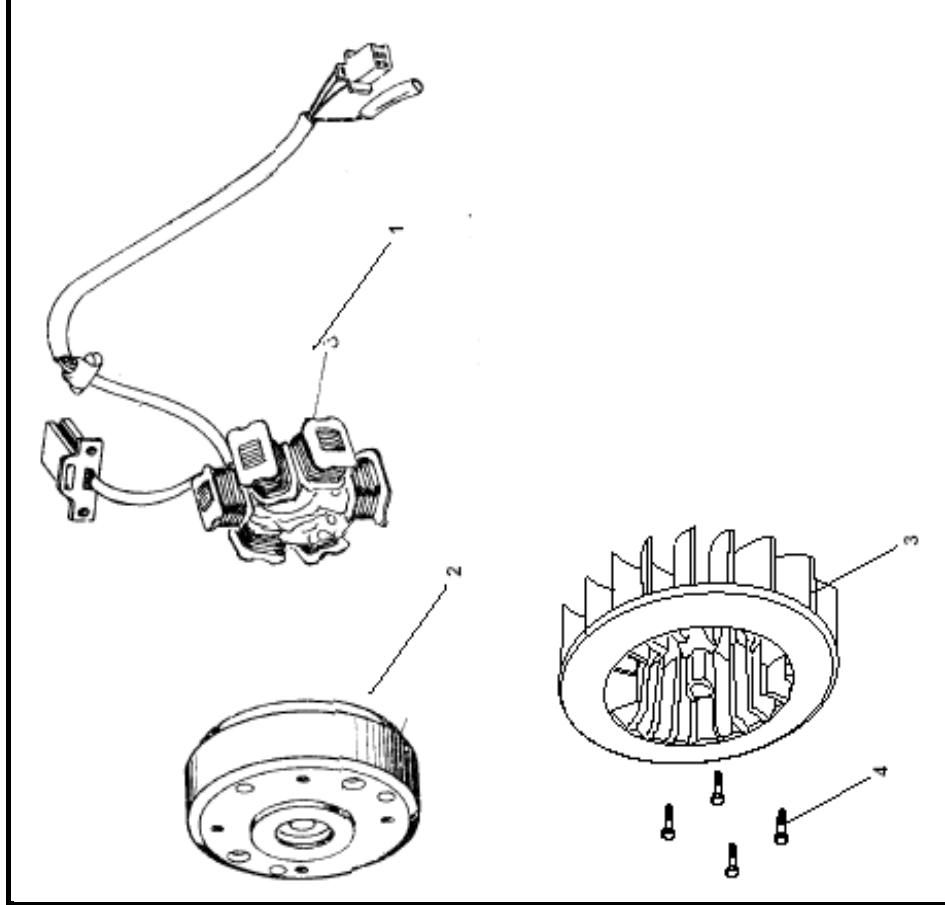
Section 10 - Driven Pulley and Clutch

Ref. #	Part #	Description	Qty.
1	14362	Asm. Outer Clutch - 150cc	1
2	14363	Belt, CVT - 150cc	1
3	14364	Asm. Driven Pulley - 150cc	1



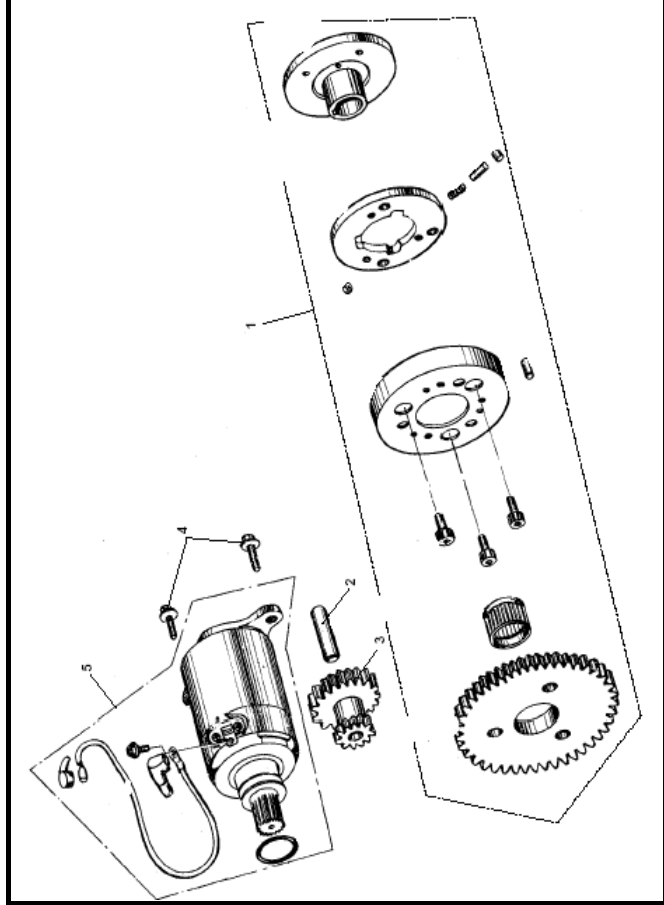
Section 11 - Engine Electrical

Ref. #	Part #	Description	Qty.
1	14365	Magneto - 150cc	1
2	14366	Flywheel - 150cc	1
3	14367	Fan, Cooling - 150cc	1
4	14368	Bolt, M6 x 1.00 x 15 FHCS	4



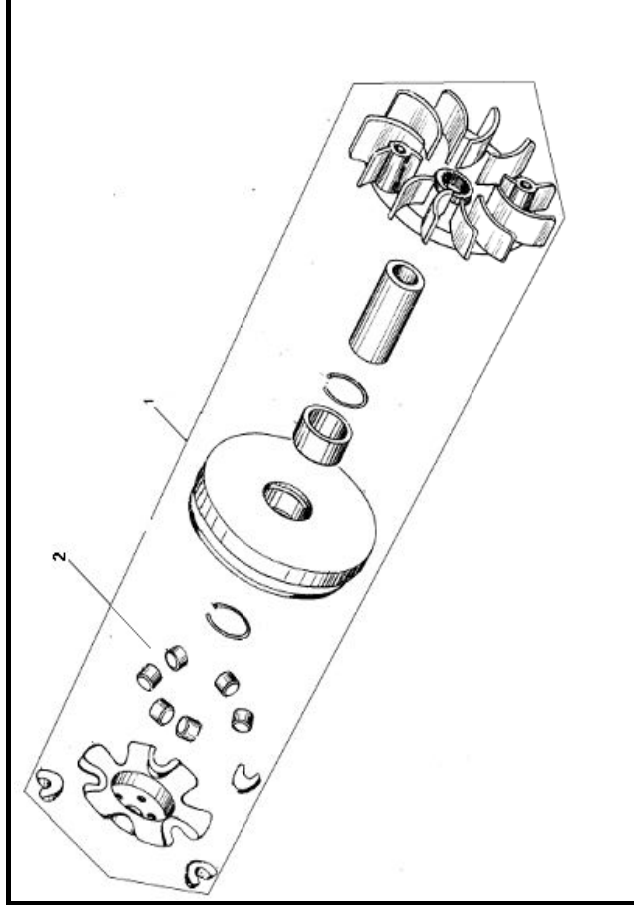
Section 12 - Electric Start

Ref. #	Part #	Description	Qty.
1	14369	Asm, Starter Clutch - 150cc	1
2	14370	Shaft, Starter Red - 150cc	1
3	14371	Gear, Starter Red - 150cc	1
4	14372	Bolt, M6 x 1.00 x 16 FHCS	2
5	14373	Asm, Starter Motor - 150cc	1



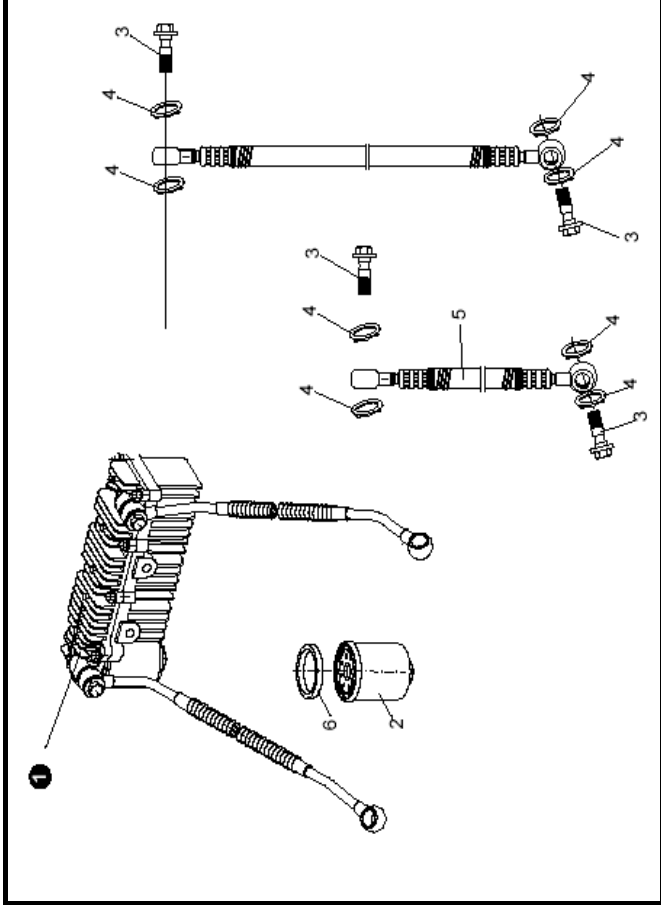
Section 13 - Driver Pulley

Ref. #	Part #	Description	Qty.
1	14374	Asm, Driver Pulley - 150cc	1
2	14375	Weights, Driver Pulley - 150cc	6



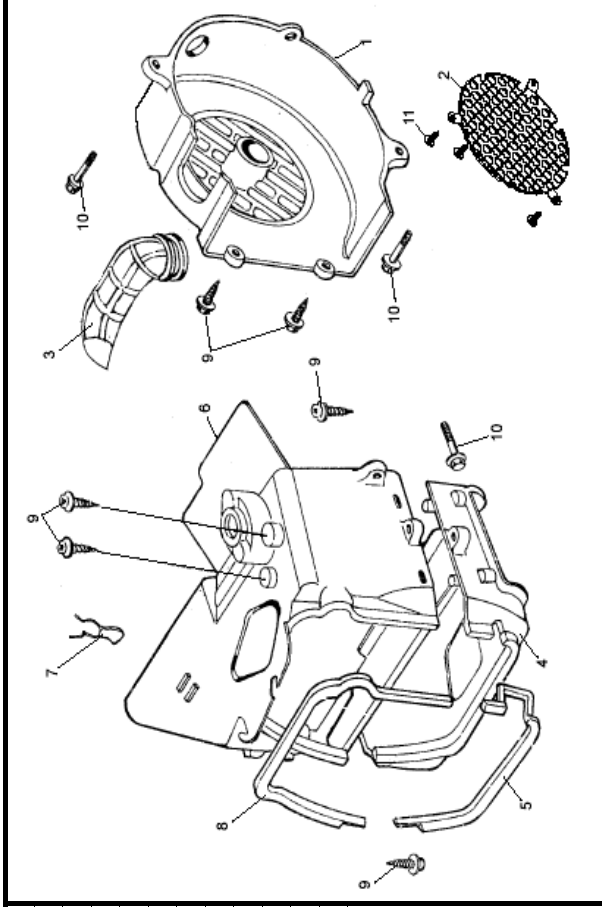
Section 14 - Oil Cooler (Not Included on 6150 Models)

Ref. #	Part #	Description	Qty.
1	14376	Manifold, Oil Cooler - 150cc	1
2	14514	Filter, Oil - 150cc	1
3	14537	Bolt, M12 X 28 Brake Banjo	4
4	14538	Washer, Oil Line	8
5	14515	Hose, Oil Cooling - 150cc	2
6	14560	Seal, Oil Filter	1



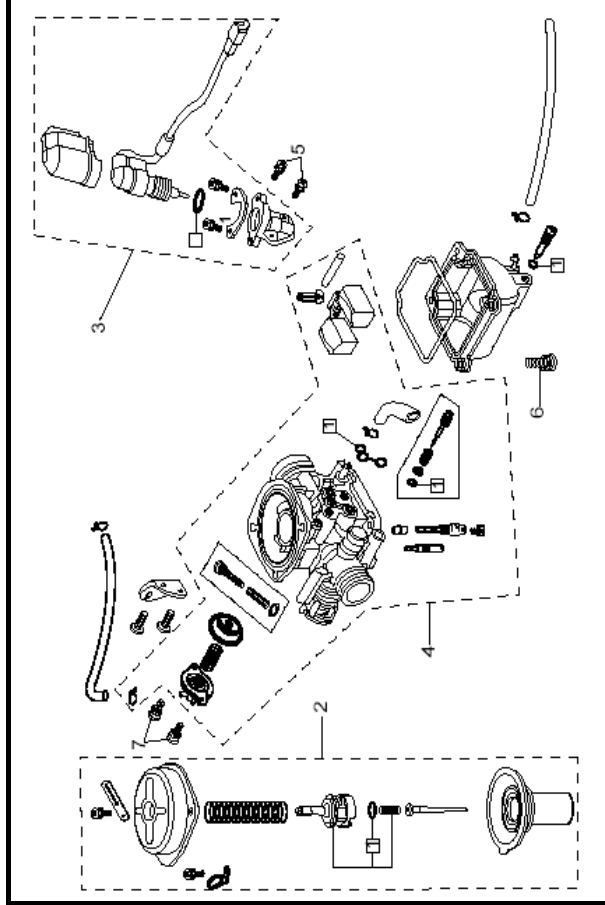
Section 15 - Fan Cover and Shroud Assembly

Ref. #	Part #	Description	Qty.
1	14540	Cover, Fan Comp - 150cc	1
2	14541	Cover, Dust - 150cc	1
3	14542	Duct, Carburetor Cooling - 150cc	1
4	14543	Shroud, Lower - 150cc	1
5	14544	Seal, Lower Shroud - 150cc	1
6	14545	Shroud, Upper - 150cc	1
7	14546	Clip, Cord - 150cc	1
8	14547	Seal, Upper Shroud - 150cc	1
9	50065	Screw,	6
10	50069	Bolt, M6 x 25 FHCS	3
11	14539	Screw, 3.5 x 13 STFH	3



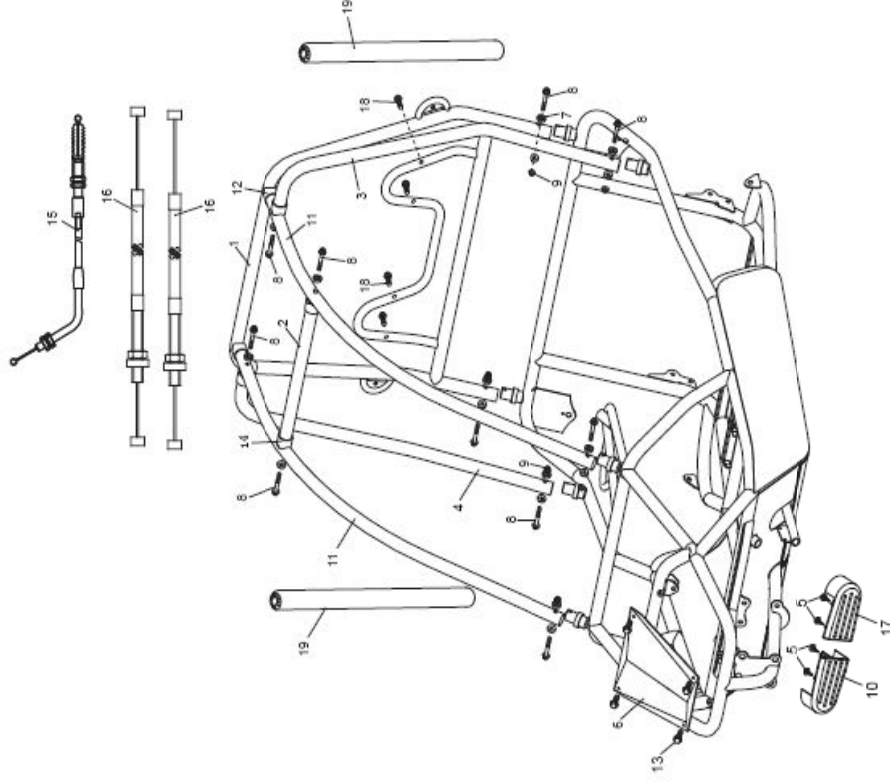
Section 16 - Carburetor

Ref. #	Part #	Description	Qty.
1	14561	KIT, CARB GASKET - 150CC	1
2	14562	KIT, CARB VACUUM - 150CC	1
3	14563	KIT, CARB CHOKE - 150CC	1
4	14564	KIT, CARB REBUILD - 150CC	1
5	14565	SCREW, M5 X 12 PH	3
6	14566	SCREW, M4 X 14 PH	2
7	14567	SCREW, M4 X 10 PH	2

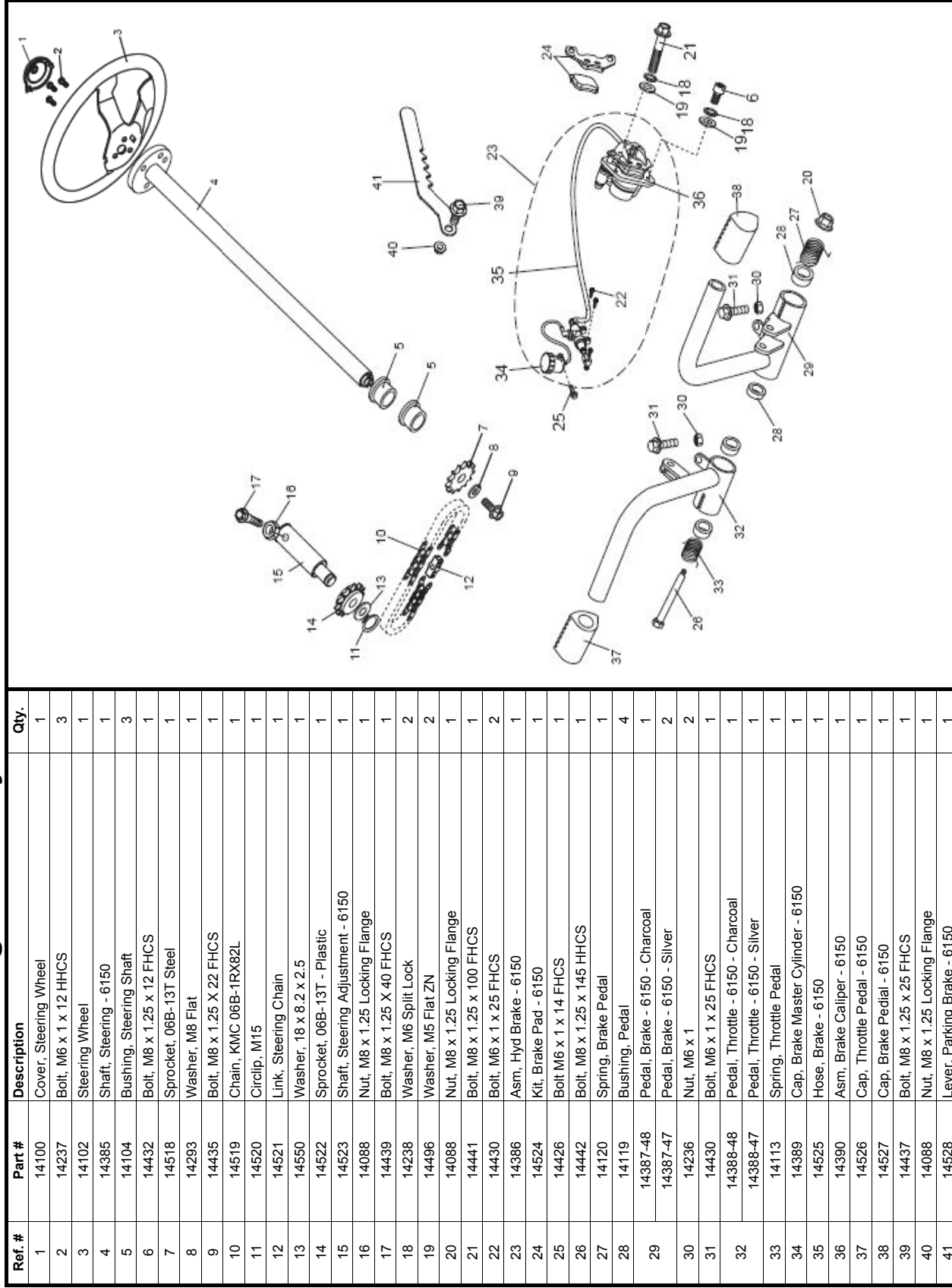


Section 17 - Frame Group

Ref. #	Part #	Description	Qty.
1	14379-48	Bar, Rear C Pillar - 6150 Charcoal	1
	14379-49	Bar, Rear C Pillar - 6150 Red	
	14379-51	Bar, Rear C Pillar - 6150 PO Blue	
2	14380-48	Bar, OH Cross - 6150 Charcoal	1
	14380-47	Bar, OH Cross - 6150 Silver	
	14380-50	Bar, OH Cross - 6150 Aegean Blue	
3	14381-48	Bar, LH B Pillar - 6150 Charcoal	1
	14381-49	Bar, LH B Pillar - 6150 Red	
	14381-51	Bar, LH B Pillar - 6150 PO Blue	
4	14382-48	Bar, RH B Pillar - 6150 Charcoal	1
	14382-49	Bar, RH B Pillar - 6150 Red	
	14382-51	Bar, RH B Pillar - 6150 PO Blue	
5	14421	Screw, M4 x 0.75 x 15	2
6	14383-48	Plate, Front Decal - 6150 Charcoal	1
	14383-49	Plate, Front Decal - 6150 Red	
	14383-51	Plate, Front Decal - 6150 PO Blue	
7	14087	Washer, Concave Clamp	12
8	14086	Bolt, M8 x 1.25 x 55 FHCS	6
9	14088	Nut, M8 x 1.25 Locking Flange	6
10	14548	Guard, Steering Chain - Right	1
11	14384-48	Bar, OH Front - 6150 Charcoal	1
	14384-47	Bar, OH Front - 6150 Silver	
	14384-50	Bar, OH Front - 6150 Aegean Blue	
12	14083	Endcap, Bar - 1 1/4"	4
13	14426	Bolt, M6 x 1.00 x 14 FHCS	4
14	14084	Endcap, Bar - 1"	2
15	14094	Cable, Throttle	1
16	14456	Cable, D/N/R Shift - 150CC	2
17	14549	Guard, Steering Chain - Left	1
18	14235	Bolt, M6 x 1 x 40 FHCS	4
19	14517	Pad, Foam B Pillar Wrapped - 6150 Black	2



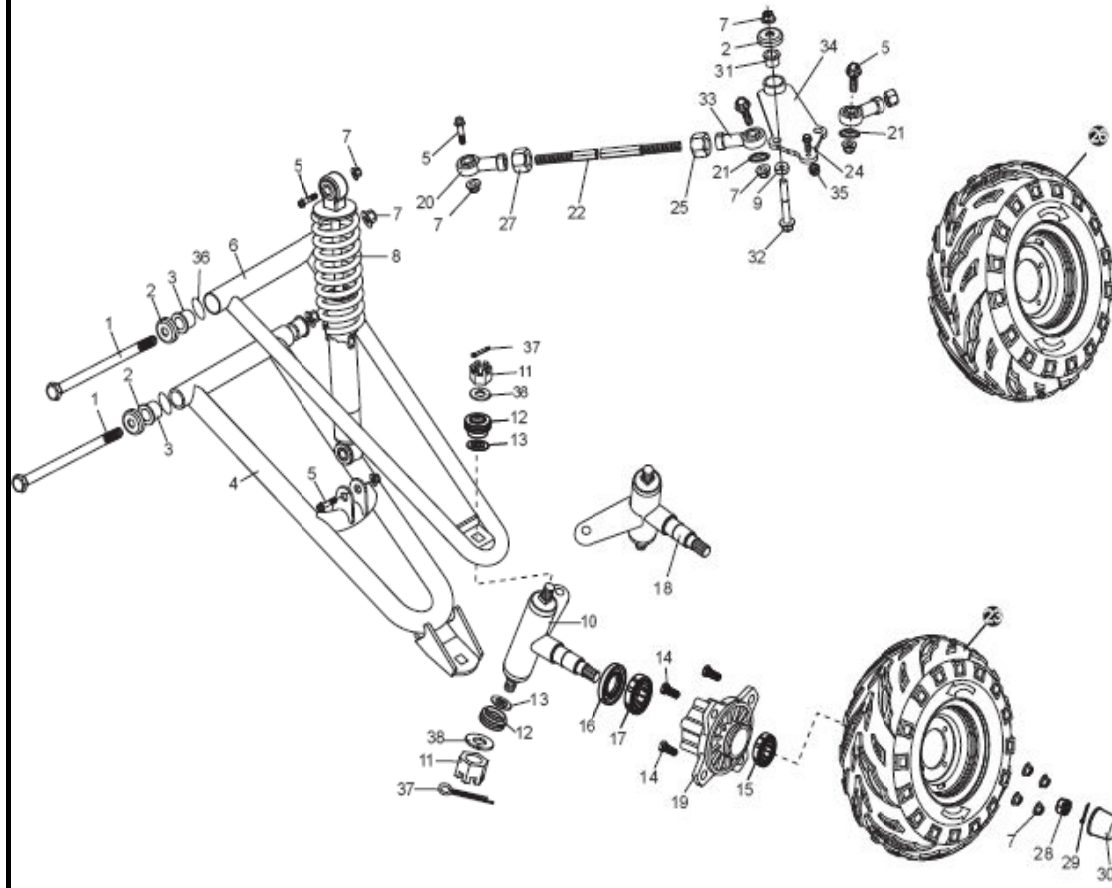
Section 18 - Steering Assembly



Ref. #	Part #	Description	Qty.
1	14100	Cover, Steering Wheel	1
2	14237	Bolt, M6 x 1 x 12 HHCS	3
3	14102	Steering Wheel	1
4	14385	Shaft, Steering - 6150	1
5	14104	Bushing, Steering Shaft	3
6	14432	Bolt, M8 x 1.25 x 12 FHCS	1
7	14518	Sprocket, 06B-13T Steel	1
8	14293	Washer, M8 Flat	1
9	14435	Bolt, M8 x 1.25 X 22 FHCS	1
10	14519	Chain, KMC 06B-1RX82L	1
11	14520	Circlip, M15	1
12	14521	Link, Steering Chain	1
13	14550	Washer, 18 x 8.2 x 2.5	1
14	14522	Sprocket, 06B-13T - Plastic	1
15	14523	Shaft, Steering Adjustment - 6150	1
16	14088	Nut, M8 x 1.25 Locking Flange	1
17	14439	Bolt, M8 x 1.25 X 40 FHCS	1
18	14238	Washer, M6 Split Lock	2
19	14496	Washer, M5 Flat ZN	2
20	14088	Nut, M8 x 1.25 Locking Flange	1
21	14441	Bolt, M8 x 1.25 x 100 FHCS	1
22	14430	Bolt, M6 x 1 x 25 FHCS	2
23	14386	Asm, Hyd Brake - 6150	1
24	14524	Kit, Brake Pad - 6150	1
25	14426	Bolt M6 x 1 x 14 FHCS	1
26	14442	Bolt, M8 x 1.25 x 145 HHCS	1
27	14120	Spring, Brake Pedal	1
28	14119	Bushing, Pedal	4
29	14387-48	Pedal, Brake - 6150 - Charcoal	1
30	14387-47	Pedal, Brake - 6150 - Silver	2
31	14236	Nut, M6 x 1	2
32	14430	Bolt, M6 x 1 x 25 FHCS	1
33	14388-48	Pedal, Throttle - 6150 - Charcoal	1
34	14388-47	Pedal, Throttle - 6150 - Silver	1
35	14113	Spring, Throttle Pedal	1
36	14389	Cap, Brake Master Cylinder - 6150	1
37	14525	Hose, Brake - 6150	1
38	14390	Asm, Brake Caliper - 6150	1
39	14526	Cap, Throttle Pedal - 6150	1
40	14527	Cap, Brake Pedal - 6150	1
41	14437	Bolt, M8 x 1.25 x 25 FHCS	1
42	14088	Nut, M8 x 1.25 Locking Flange	1
43	14528	Lever, Parking Brake - 6150	1

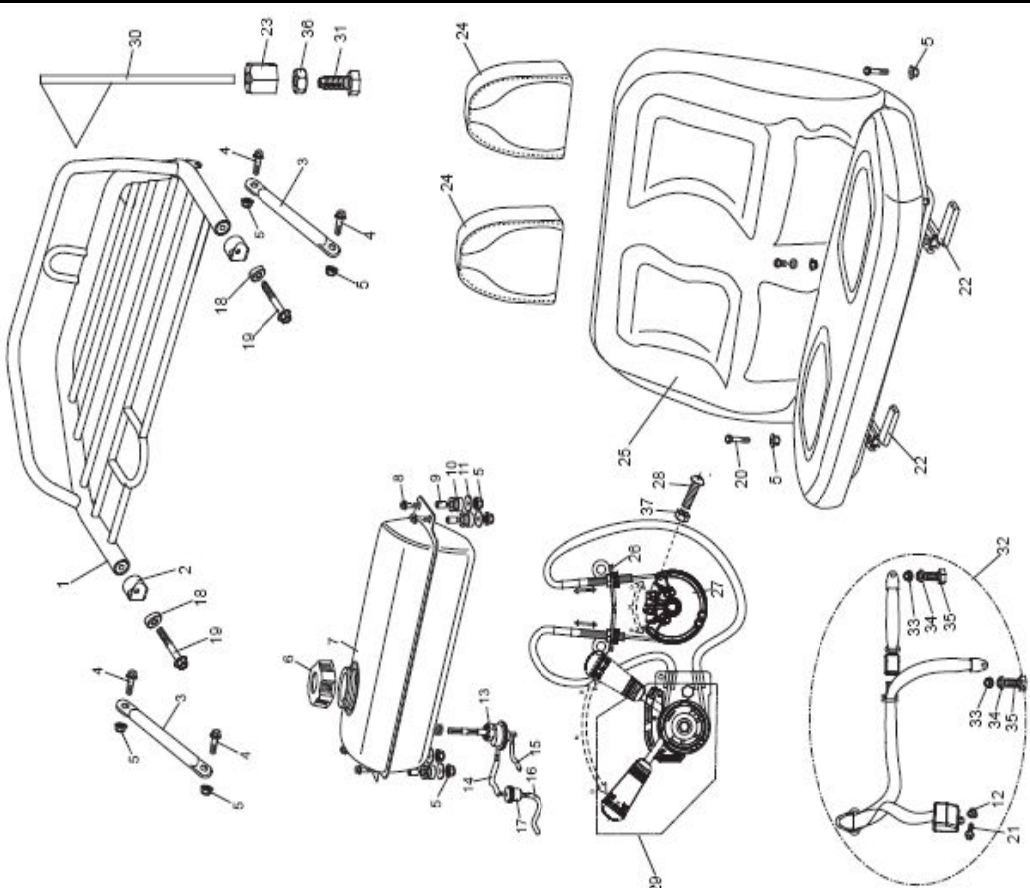
Section 19 - Front Suspension

Ref. #	Part #	Description	Qty.
1	14450	Bolt, M10 X 1.25 X 232 HHCS	4
2	14154	Cap, Dust - Lower Suspension Arm	8
3	14155	Bushing, A Arm Lower	8
4	14391-48	A Arm, Lower - 6150 Charcoal	2
	14391-47	A Arm, Lower - 6150 Silver	2
5	14246	Bolt, M10 x 1.25 x 40 FHCS	8
6	14392-48	A Arm, Upper - 6150 - Charcoal	2
	14392-47	A Arm, Upper - 6150 - Silver	2
7	14243	Nut, M10 x 1.25 Locking Flange	16
8	14393	Shock, 345mm Front - Chr/Yellow	2
9	14087	Washer, Concave Clamp	2
10	14394	Asm, Strut/Spindle - LH - Black	1
11	14244	Nut, M12 x 1.25 Castle ZN	4
12	14137	Seal, Ball Joint	4
13	14138	Spacer, Ball Joint Head	4
14	14147	Stud, M10 x 1.25 x 31 Wheel	8
15	14149	Bearing, Outer 6202-Z	2
16	14145	Seal, 47 x 25 x 7 Dust	2
17	14146	Bearing, Inner - 6204-Z	2
18	14395	Asm, Strut/Spindle - RH - Black	1
19	14148	Hub, Front Wheel	2
20	14529	End, Tie Rod - M10	2
21	14551	Washer	4
22	14552	Tie Rod - 360 x M10 x 1.5	2
23	14396	Asm, Tire/Wheel LF	1
24	14430	Nut, M6 x 1 x 25	2
25	14553	Nut, Tie Rod - M10 x 1.5	2
26	14397	Asm, Tire/Wheel RF	1
27	14554	Nut, Tie Rod - M10 x 1.5	2
28	14244	Nut, M12 x 1.25 Castle ZN	2
29	14150	Pin, M2 x 20 Cotter	2
30	14151	Cap, Hub Nose	2
31	14555	Bushing, 21 x 15 x 15	2
32	14448	Bolt, M10 X 1.25 X 85 HHCS	2
33	14556	End, Tie Rod - M10 x 1.5	2
34	14400	Pivot, Steering Link - 6150 Charcoal	1
35	14236	Nut, M6 x 1 - Nyloc Flange	2
36	14156	O-Ring, M21.2 x 2.65	8
37	14490	Pin, M1.8 x 20 Cotter	4
38	14245	Washer, M12 Split Lock ZN	4



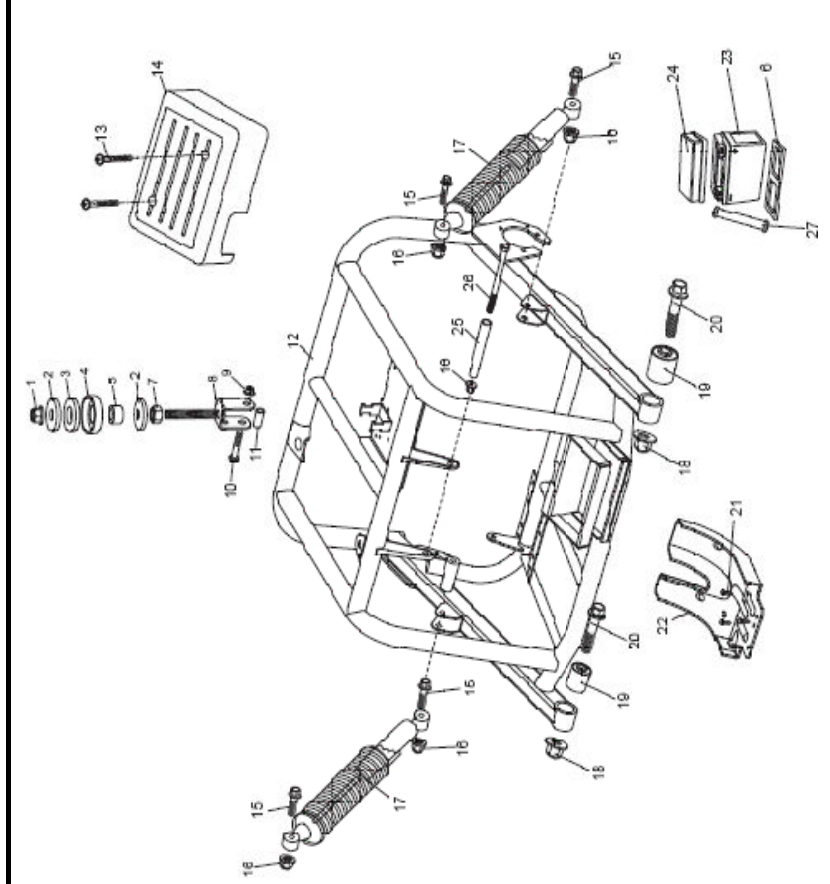
Section 20 - Rear Cargo Rack

Ref. #	Part #	Description	Qty.
1	14532-48	Cargo Rack - 6150 Charcoal	1
	14532-47	Cargo Rack - 6150 Silver	
	14532-50	Cargo Rack - 6150 Aegean Blue	
2	14083	Endcap, Bar - 1 1/4"	2
	14404-48	Arm, Rack Suppot - 6150 Charcoal	
3	14404-47	Arm, Rack Suppot - 6150 Silver	1
	14404-50	Arm, Rack Supput - 6150 Aegean Blue	
4	14239	Bolt, M8 x 1.25 x 20 FHCS	4
5	14088	Nut, M8 x 1.25 Locking Flange	4
6	13871	Cap, Fuel	1
7	14161	Tank, Fuel - 6150/7150 Charcoal	1
	14533	Tank, Fuel - 6150 Silver	
	14534	Tank, Fuel - 6150 Aegean Blue	
8	14436	Bolt, M8 x 1.25 x 25 FHCS	4
9	14162	Spacer, Fuel Tank	4
10	14163	Bushing, Fuel Tank Mount	4
11	14293	Washer, M8 Flat	4
12	14088	Nut, M8 x 1.25 Locking Flange	4
13	50210	Asm, Auto Fuel Cock	1
14	14164	Line, Fuel #1	1
15	14165	Line, Vacuum #1	1
16	14166	Line, Fuel #2	1
17	14167	Filter, Fuel	1
18	14087	Washer, Concave Clamp	2
19	14086	Bolt, M8 x 1.25 x 55 FHCS	2
20	14439	Bolt, M8 x 1.25 x 40 HHCS	4
21	14088	Nut, M8 x 1.25 Locking Flange	4
22	14171	Slide, Seat	2
23	14466	Nut, Decorative Plastic Flag Mnt.	1
24	14402	Headrest, Black Bar Mount - 6150	2
25	14403	Seat, Black Vinyl Bench - 6150	1
26	14473	Bracket, Shift Cable	1
27	14479	Disc, Shift Control	1
28	14420	Screw, M4 x 0.75 x 31	1
29	14478	Asm, Trans Shift Lever - F/N/R - 150cc	1
30	14464	Flag, Safety	1
31	14465	Bolt, M12 x 1.25 x 30 Flag Mounting	1
32	8778	Harness, Lap Shoulder Rest	2
33	14243	Nut, M10 x 1.25	4
34	14240	Washer, M10 Flat	4
35	14437	Bolt, M10 x 1.25 x 25	4
36	14492	Nut, M12 x 1.25	1
37	14493	Nut, M4 x 0.7	1



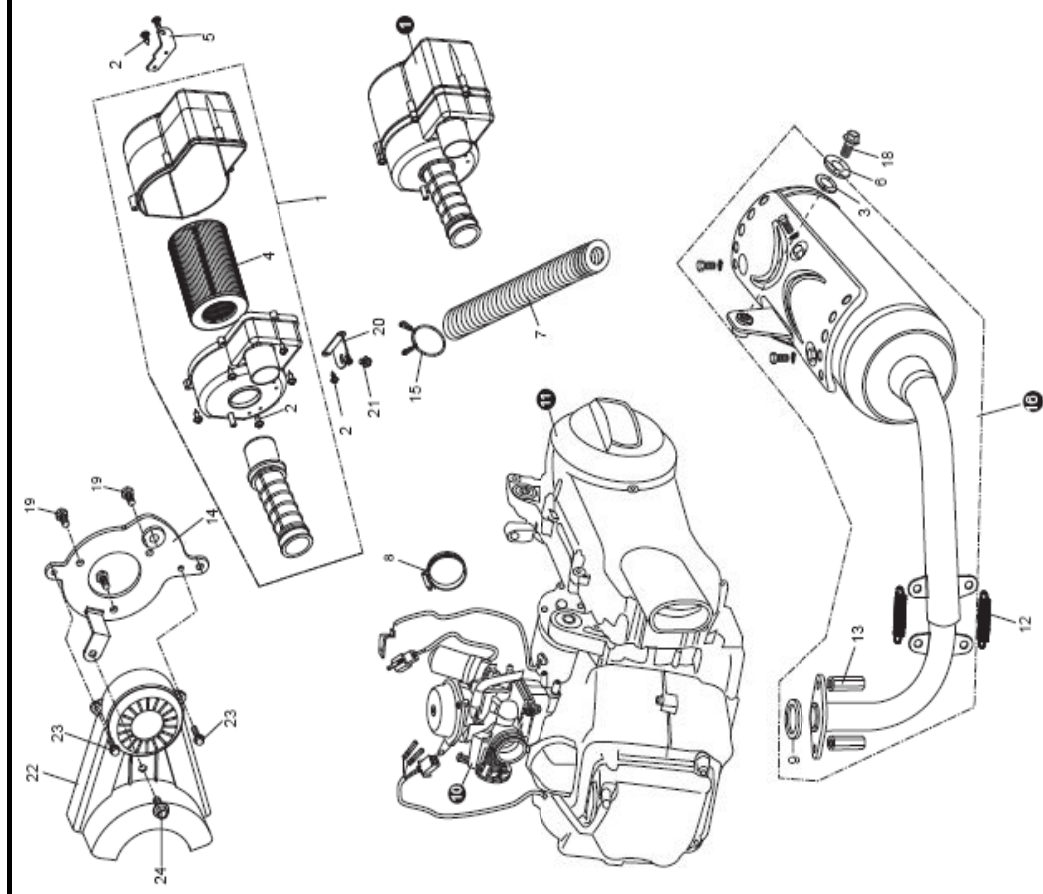
Section 21 - Rear Swingarm

Ref. #	Part #	Description	Qty.
1	14324	Nut, M12 x 1.25 Locking Flange	1
2	14289	Washer, M12 Flat ZN	1
3	14467	Bushing, Engine Adj Isolator	1
4	14468	Spacer, Engine Adj Cup	1
5	14469	Spacer, Engine Adj Alignment	1
6	14188	Gasket, Battery Cap - 150cc	1
7	14492	Nut, M12 x 1.25 Hex ZN	1
8	14470	Link, Chain Tensioning - 150cc	1
9	14243	Nut, M10 x 1.25 Locking Flange	1
10	14446	Bolt, M6 x 1 x 45 FHCS	1
11	14471	Spacer, Engine Mounting Link - 150cc	1
12	14405-48	Asm, Rear Swingarm - 6150 Charcoal	1
	14405-47	Asm, Rear Swingarm - 6150 Silver	
13	14431	Screw, M6 x 1 x 60 PHCS	2
14	14172	Cover, Electrical	1
15	14246	Bolt, M10 x 1.25 x 40 FHCS	4
16	14243	Nut, M10 x 1.25 Locking Flange	5
17	14535	Shock, Rear - 6150	2
18	14324	Nut, M12 x 1.25 Locking Flange	2
19	14191	Bushing, Swingarm Isolator - 150cc	2
20	14452	Bolt, M12 x 1.25 x 60 FHCS	2
21	14372	Bolt, M6 x 1 x 16 FHCS	4
22	14185	Guard, Lower Chain - 150cc	1
23	14189	Battery - YTX12-BS	1
24	14186	Cover, Battery - 150cc	1
25	14177	Spanner, Engine Mount	1
26	14449	Bolt, M10 x 1.25 x 195 HHCS	1
27	14187	Strap, Battery Hold Down - 150cc	1



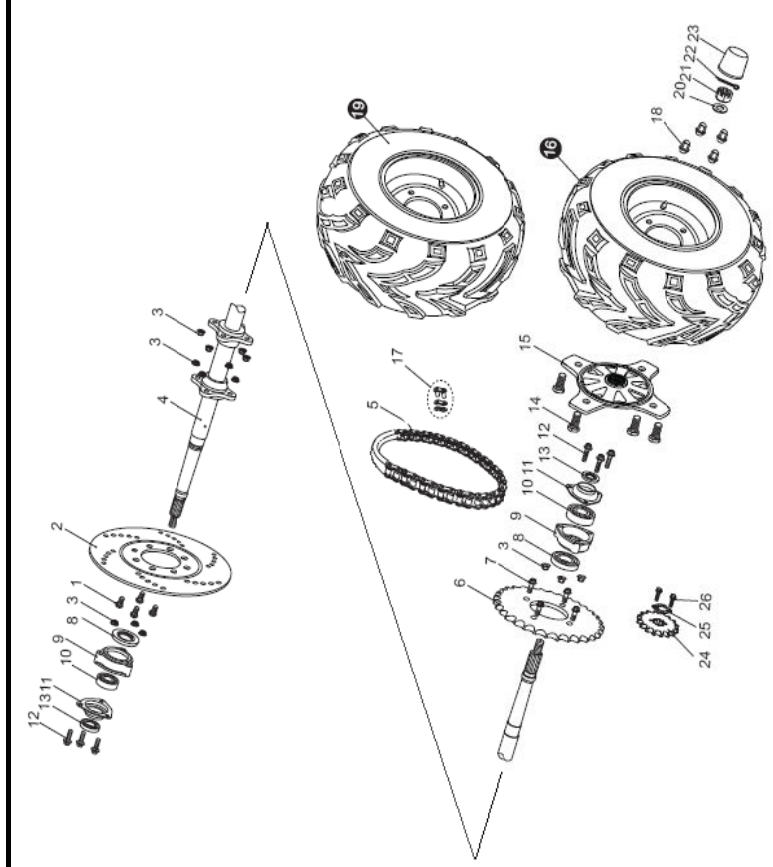
Section 22 - Engine

Ref. #	Part #	Description	Qty.
1	14192	Asm, Air Cleaner - 150cc	1
2	14193	Screw M5 x 16 Self Tapping PH	9
3	14495	Washer, M8 Split Lock ZN	1
4	14194	Filter, Air - 150cc	1
5	14201	Bracket, #2 Air Cleaner Mount - 150cc	1
6	14497	Washer, M8 x 27 x 2 FLAT ZN	1
7	14195	Hose, Air Intake - 150cc	1
8	14481	Clamp, Hose - 45	1
9	14196	Gasket, Exhaust Pipe - 150cc	1
10	14197	Asm, Carburetor - 150cc	1
11	14198	Asm, Engine - 150cc	1
12	14482	Spring, Exhaust Pipe	2
13	50050	Nut (Hex) Cap M6	2
14	14480	Bracket, Rear Eng Mount - 150cc	2
15	14483	Clamp - 50	1
16	14199	Asm, Muffler - 150cc	1
17	14433	Bolt, M8 x 1.25 x 15 FHCS ZN	1
18	14439	Bolt, M8 x 1.25 x 40 FHCS ZN	1
19	14239	Bolt, M8 x 1.25 x 20 FHCS ZN	3
20	14200	Bracket, #1 Air Cleaner Mount - 150cc	1
21	14445	Bolt, M10 x 1.25 x 10 FHCS ZN	1
22	14484	Guard, Chain - 150cc	1
23	14426	Bolt, M6 x 1 x 14 FHCS ZN	2
24	14434	Bolt, M8 x 1.25 x 16 FHCS ZN	1



Section 23 - Rear Axle

Ref. #	Part #	Description	Qty.
1	14435	Bolt, M8 x 1.25 x 22 FHCS	4
2	14202	Disc, Rear Brake - 150cc	1
3	14088	Nut, M8 x 1.25 Locking Flange	16
4	14203	Axle - 150cc	1
5	14204	Chain, 50 x 56P INC ML	1
6	14205	Sprocket, 50P 39T	1
7	14436	Bolt, M8 x 1.25 x 25 FHCS	4
8	14206	Seal, M50 x 34 x 7 Dust	2
9	14207	Housing, Axle Bearing - 150cc	2
10	14208	Bearing - 6206	2
11	14209	Flange, Bearing - 150cc	2
12	14439	Bolt, M8 x 1.25 x 40 FHCS	6
13	14210	Seal, M42 x 30 x 7 Dust	2
14	14147	Stud, M10 x 1.25 x 31 Wheel	8
15	14211	Hub, Rear Wheel - 150cc	2
16	14398	Asm, LH Rear Wheel/Tire	1
17	14215	Master Link 50	1
18	14243	Nut, M10 x 1.25 Locking Flange	8
19	14399	Asm, RH Rear Wheel/Tire	1
20	14248	Spacer, M16 x 16 x 4	2
21	14249	Nut, M16 x 2.00 Castle	2
22	14213	Pin, M4 x 30 Cotter	2
23	14151	Cap, Hub Nose - Black	2
24	14217	Sprocket, 50P 16T	1
25	14218	Keeper, Drive Sprocket	1
26	14296	Bolt, M6 x 1.25 x 12	2



Section 24 - Electrical

Ref. #	Part #	Description	Qty.
1	14227	Coil, Ignition w/ Cap - 150cc	1
2	14406	Panel, Dash - 6150	1
3	14221	Switch, Engine Stop - 150cc	1
4	14222	Switch, Keyed Ignition - 150cc	1
5	14407	Harness, Main Wiring - 6150	1
6	14223	Harness, Battery - 150cc	1
7	14428	Screw, M6 x 1 x 20	2
8	14236	Nut, M6 x 1.00 Nyloc Hex	2
9	14224	Regulator, Voltage - 150cc	1
10	14225	Relay, Starter - 150cc	1
11	14226	CDI - 150cc	1
12	14491	Nut, M5 x 0.75 Nyloc	1
13	14425	Screw, M5 x 0.75 x 25	1
14	14231	Fuse, 15 Amp - Waytek 46115	2

